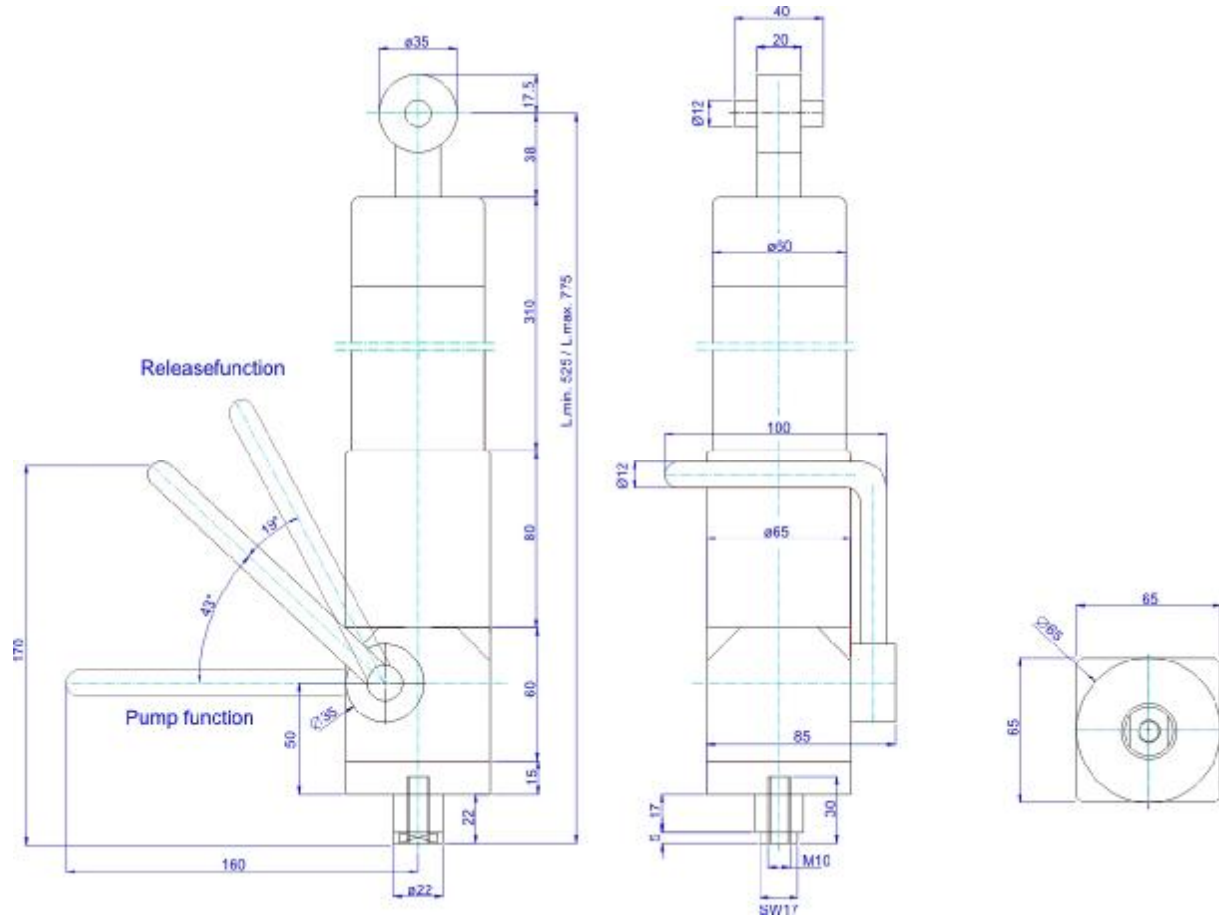


FPC-250 Pedal Pump & Cylinder Unit

Dimension sketch



Stroke (std.)	Pressure fluid	Pump/piston ratio	Contraction per stroke	Reservoir	Weight
250 mm	Mineral oil	1:5	10 mm	1.0 L	7 kg

Ordering code: FPC-250



Ordrekode: FPC-250

