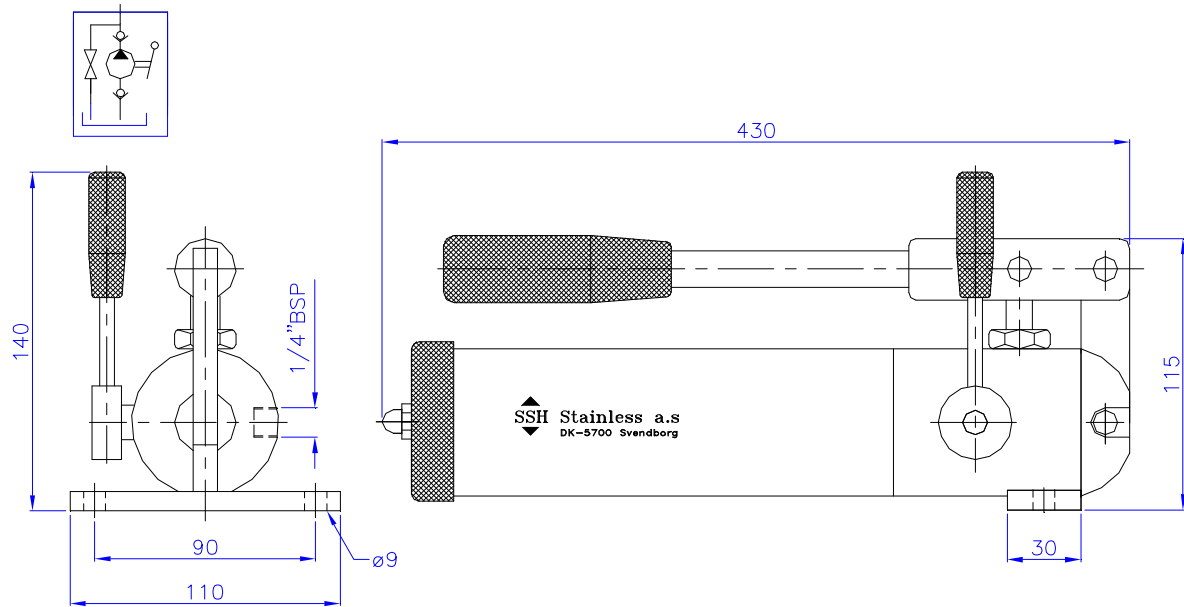
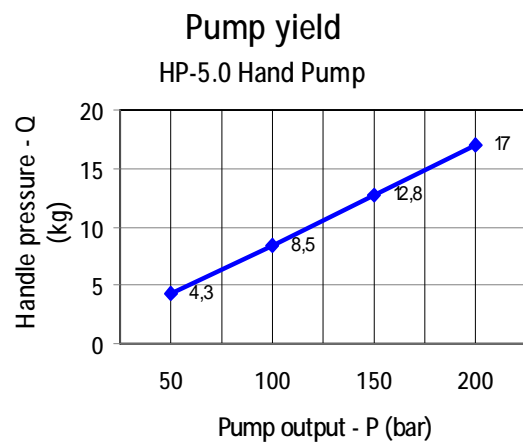
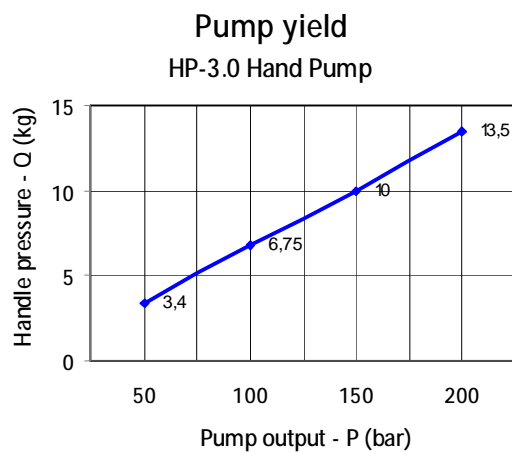


## HP- 1.5 / 3.0 / 5.0 LH Hand Operated Pump



Ordering code	Pressure medium	Pump pressure	cc per stroke	Reservoir	Connection	Weight
HP- x1 - LH	Oil or water	200 bar	1.5 / 3.0 / 5.0	0.7 L	1/4" BSP	3.5 kg



Please state cc **x1** per stroke when ordering:

**x1**: 5.0 cc per stroke  
Ordering code: **HP-5.0-LH**

Venligst oplys cm<sup>3</sup> **x1** pr. slag ved ordre:

**x1**: 5.0 cm<sup>3</sup> pr. slag

