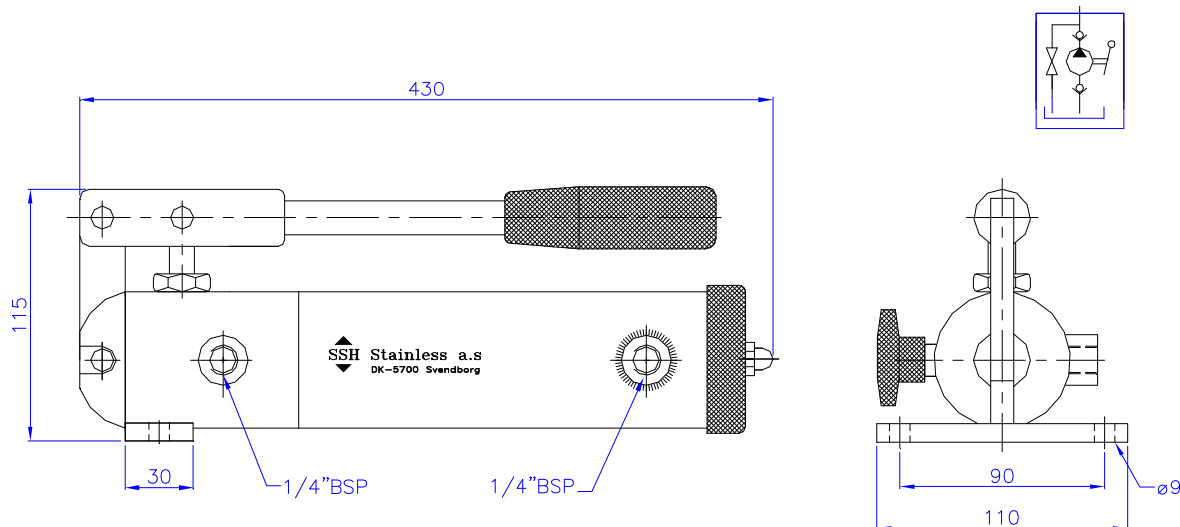


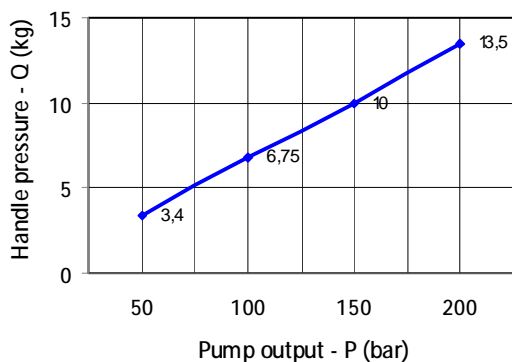
## HP-D-1.5 / 3.0 / 5.0-KH Hand Operated Pump with external tank connection.

For combination with NRV 4/3-P-1/4" BSP valve, operating double acting hydraulic cylinder

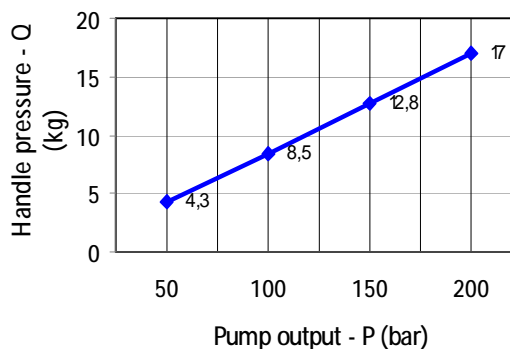


Ordering code	Pressure medium	Pump pressure	cc per stroke	Reservoir	Connection	Weight
HP-D- x1 - KH	Oil or water	200 bar	1.5 / 3.0 / 5.0	0.7 L	1/4" BSP	3.5 kg

**Pump yield**  
HP-3.0 Hand Pump



**Pump yield**  
HP-5.0 Hand Pump



Please state cc **x1** per stroke when ordering:



**x1**: 5.0 cc per stroke  
Ordering code: **HP-D-5.0-KH**

Venligst oplys cm<sup>3</sup> **x1** pr. slag ved ordre:



**x1**: 5.0 cm<sup>3</sup>pr. slag  
Ordre kode: **HP-D-5.0-KH**