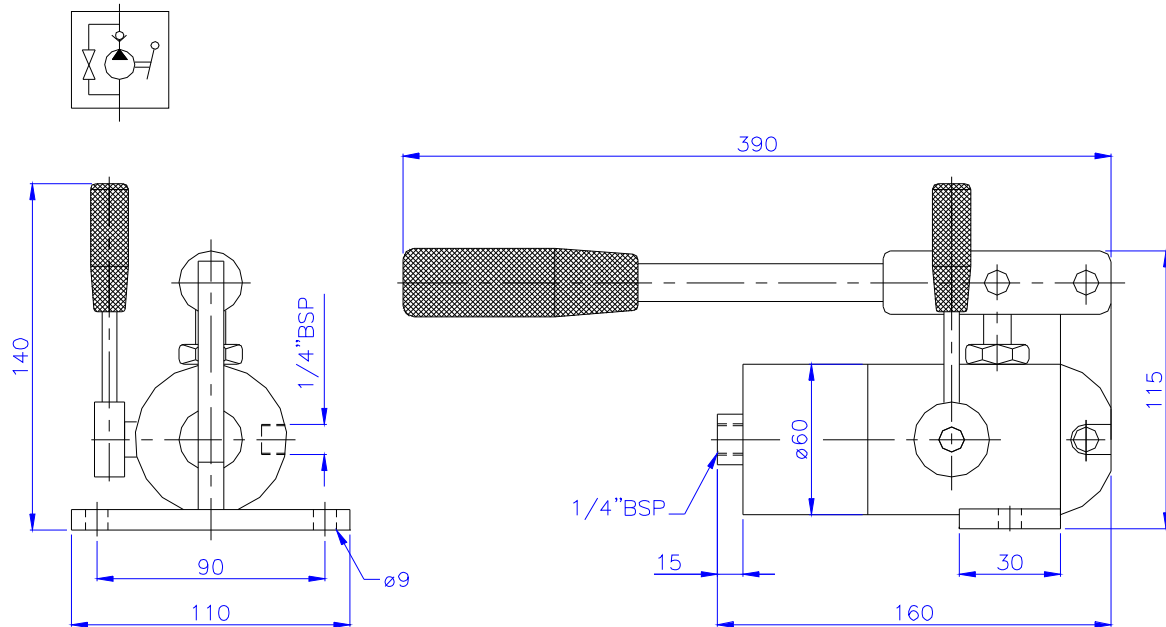


HP- K- 1.5 / 3.0 / 5.0 LH Hand Operated Pump without reservoir

Dimension sketch



Ordering code	Pressure medium	Pump pressure	cc per stroke	Tank reservoir, litre	Connection	Weight
HP-K- LH	Oil or water	200	1.5 / 3.0 / 5.0	0	1/4\"BSP	3.5 kg

Please state cc **x1** per stroke when ordering:



How to order:
HP -K- **x1**- LH

x1: 5.0 cc per stroke

Ordering code: HP-K-5.0-LH

Venligst oplys cm³ **x1** pr. slag ved ordre:



Eksempel på ordre:
HP - K- **x1**- LH

x1: 5.0 cm³ pr. slag

Ordre kode: HP-K-5.0-LH

