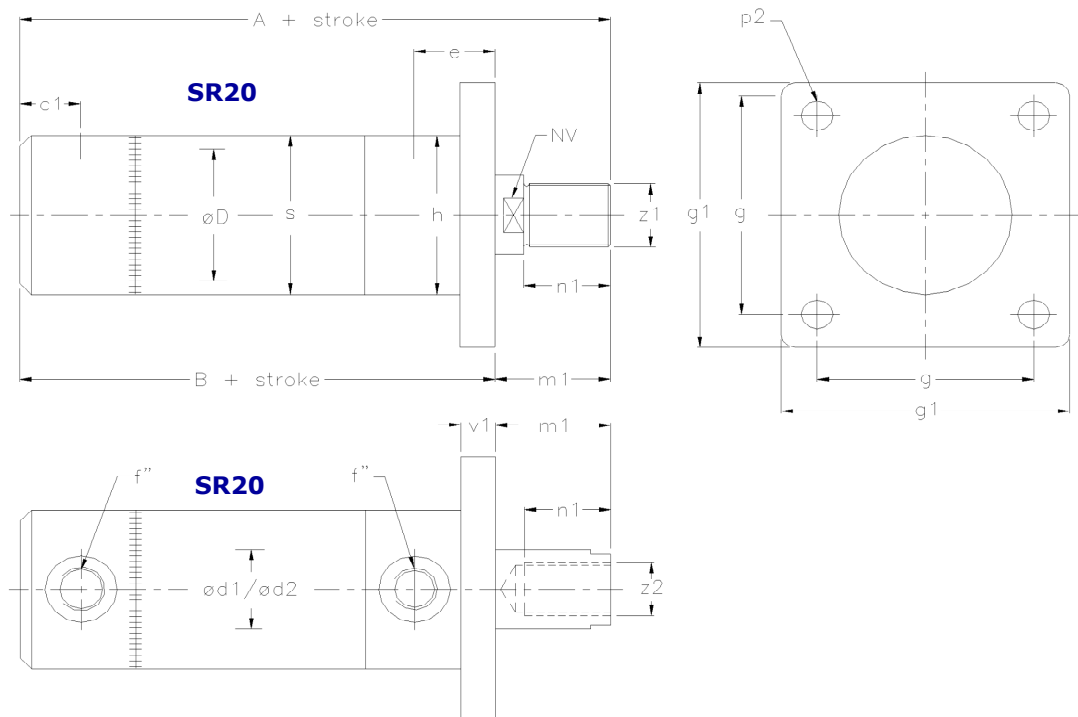


SR20 HD and HP cylinders



Dimension table

øD	25	32	40	50	63	80
ød1/ød2	12/16	16	20/25	25/30	30/40	40/50
A	119	147	163	192	209	249
B	88	117	128	153	164	189
c1	13	15	16	21	22	26
e	26	28	25	28	28	39
f''	1/8 "	1/4 "	1/4 "	3/8 "	3/8 "	1/2 "
g	50	50	65	75	85	110
g1	70	70	90	100	120	140
h	40	50	50/55	60	75	100
m1	31	30	35	39	45	60
n1	24	22	25	30	35	40
NV	10/13	13	17/22	22/27	24/36	36/46
p2	9	9	11	11	14	14
s	30	40	50	60	75	95
z1	M10x1,50 M12x1,75	M12x1,75	M16x2,00 M22x2,00	M22x2,00 M24x1,50	M24x1,50 M36x2,00	M36x2,00 M36x2,00
z2	M8x1,25	M8x1,25	M12x1,75 M16x2,00	M16x2,00 M16x2,00	M20x2,50 M24x2,00	M24x2,00 M24x2,00
v1	9	9	9	11	14	19

How to order:



SR20 HD **x1** / **x2** * **x3** K

x1: Inside diameter : 50 mm
x2: Piston rod : 30 mm
x3: Stroke : 200 mm

Ordering code: **SR20 HD 50/30*200**

Eksempel på ordre:



SR20 HD **x1** / **x2** * **x3** K

x1: Indvendig diameter : 50 mm
x2: Stempelstang : 30 mm
x3: Slaglængde : 200 mm

Ordre kode: **SR20 HD 50/30*200 K**