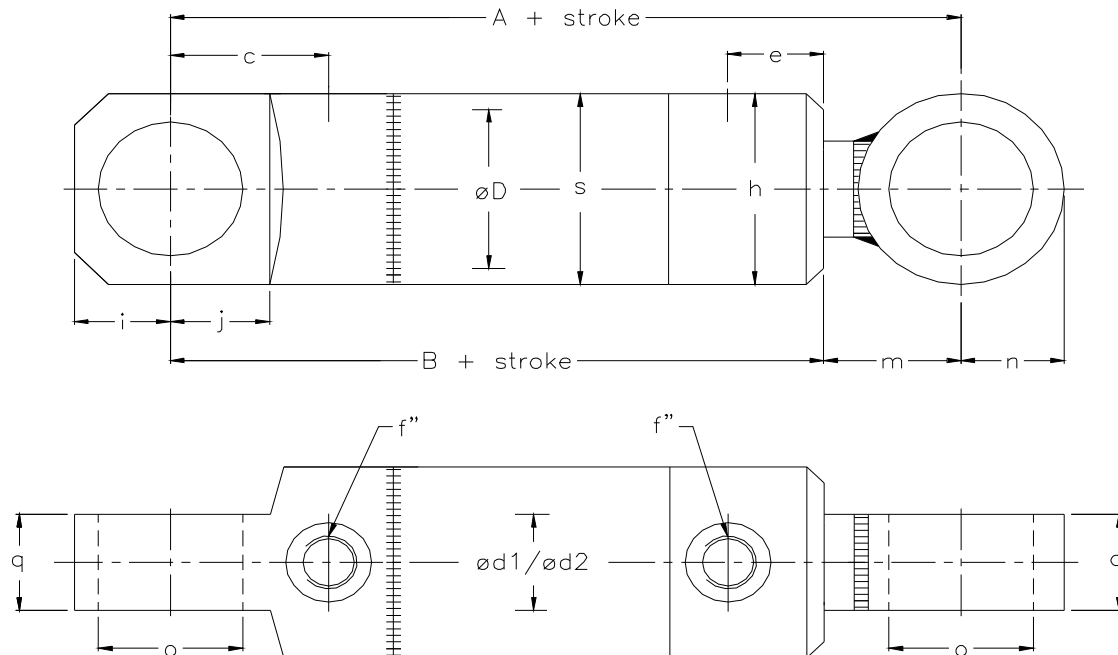


## SR20 VZ cylinders



Dimension table

øD	25	32	40	50	63	80
ød1/ød2	12/16	16	20/25	25/30	30/40	40/50
A	135	155	185	217	225	265
B	95	126	150	177	180	213
c	20	24	36	46	38	50
e	26	24	25	28	28	39
f''	1/8"	1/4"	1/4"	3/8"	3/8"	1/2"
h	40	50	50/55	60	75	100
i	12	18	25	28	35	40
j	13	18	23	29	35	38
m	40	29	35	40	45	52
n	14	19	25	30	35	45
o	15	26	35	42	47	60
q	15	20	25	30	35	45
s	30	40	50	60	75	95

### How to order:



SR20 VZ x1 / x2 \* x3 K

x1: Inside diameter : 50 mm  
 x2: Piston rod : 30 mm  
 x3: Stroke : 200 mm

Ordering code: SR20 VZ 50/30\*200 K

### Eksempel på ordre:



SR20 VZ x1 / x2 \* x3 K

x1: Indvendig diameter : 50 mm  
 x2: Stempelstang : 30 mm  
 x3: Slaglængde : 200 mm

Ordre kode: SR20 VZ 50/30\*200 K