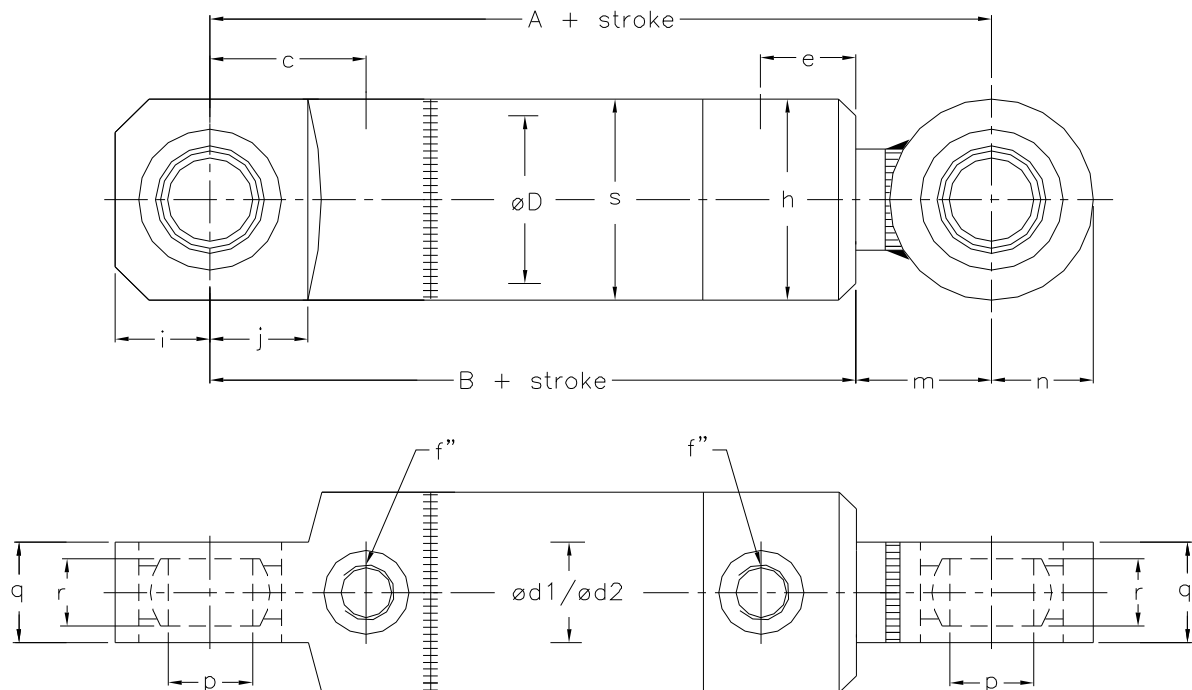


## SR20 LL cylinders



Dimension table

| øD      | 32   | 40    | 50    | 63    | 80    |
|---------|------|-------|-------|-------|-------|
| ød1/ød2 | 16   | 20/25 | 25/30 | 30/40 | 40/50 |
| A       | 155  | 185   | 217   | 225   | 265   |
| B       | 126  | 150   | 177   | 180   | 213   |
| c       | 24   | 36    | 46    | 38    | 50    |
| e       | 24   | 25    | 28    | 28    | 39    |
| f'''    | 1/4" | 1/4"  | 3/8"  | 3/8"  | 1/2"  |
| h       | 50   | 50/55 | 60    | 75    | 100   |
| i       | 18   | 25    | 28    | 35    | 40    |
| j       | 18   | 23    | 28    | 35    | 38    |
| m       | 29   | 35    | 40    | 45    | 52    |
| n       | 19   | 25    | 30    | 35    | 45    |
| p       | 15   | 20    | 25    | 30    | 35    |
| q       | 20   | 25    | 30    | 35    | 45    |
| r       | 15   | 16    | 20    | 22    | 35    |
| s       | 40   | 50    | 60    | 75    | 95    |

How to order:



SR20 LL x1 / x2 \* x3 K

x1: Inside diameter : 50 mm  
 x2: Piston rod : 30 mm  
 x3: Stroke : 200 mm

Ordering code: SR20 LL 50/30\*200 K

Eksempel på ordre:



SR20 LL x1 / x2 \* x3 K

x1: Indvendig diameter : 50 mm  
 x2: Stempelstang : 30 mm  
 x3: Slaglængde : 200 mm

Ordre kode: SR20 LL 50/30\*200 K