

FPC-250 Pedal pump-cylinder unit

- with pulling cylinder

The FPC-250 combines a pedal operated pump with a pulling cylinder and an oil reservoir into a single stainless steel unit.

Application

FPC-250 is designed to be used for height adjustment of working platforms as an all-in-one hydraulic system.

Features

- ☑ Throttled retraction to prevent sudden drop of load
- ☑ Spring centered pedal
- ☑ Joint-like fixtures
- ☑ Cleaning friendly
- ☑ Sealed according to IP68
- ☑ Maintenance free
- ☑ Easy to install
- ☑ Customized pedal designs possible

Specifications

Stroke (standard)	Fluid
250 mm	Synthetic oil/ Water glycol
Pump/piston ratio	Contraction/stroke
1:5	10 mm
Reservoir	Weight
1.0 L	7 kg



Installation

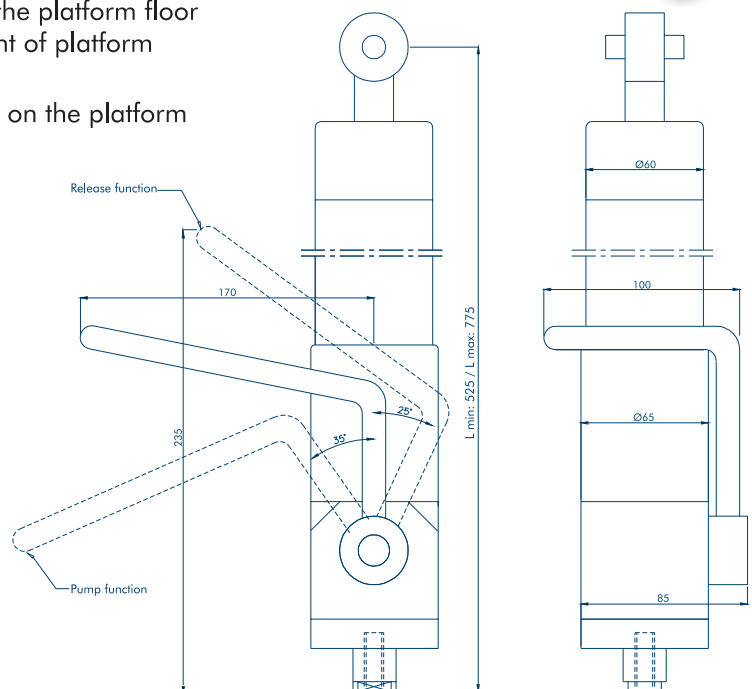
The lower joint-like fixture is attached to the platform floor and can compensate for a certain amount of platform misalignment.

The piston rod is hinged on a fork-fixture on the platform frame.

Hydraulics

The FPC-250 is factory filled with hydraulic fluid (fulfilling NFS-H1 requirements) and virtually maintenance free.

The pump/cylinder piston area ration is 1:5, so a force of 1 kN applied to the pedal equals a cylinder pulling force of 5 kN.



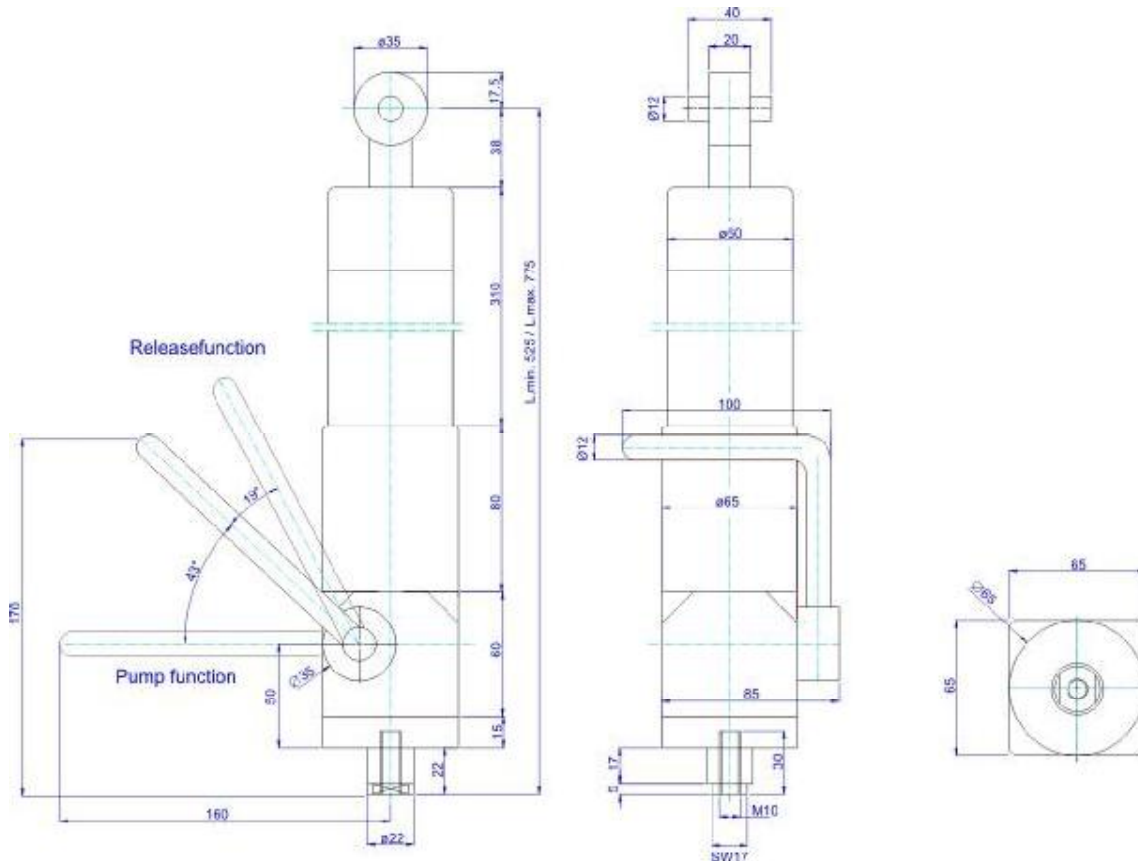
SSH Stainless a.s

Kuopiovej 18 • 5700 Svendborg • Denmark
 Tel: +45 6221 8531 • Fax: +45 6221 7840
 Email: ssh@ssh-stainless.dk • www.ssh-stainless.dk

**Stainless
Steel
Hydraulics**

FPC-250 Pedal Pump & Cylinder Unit

Dimension sketch



Stroke (standard)	Pressure fluid	Maximum pull	Pump/piston ratio	Contraction per stroke	Reservoir	Weight
250 mm	Mineral oil /Glycol	250 kg	1:5	10 mm	1.0 L	7 kg

Ordering code

Oil filled: **FPC-250**
Glycol filled: **FPC-250-WG**

Ordrekode

Oliefyldt: **FPC-250**
Glykolfyldt: **FPC-250-WG**

Oil type: **Castrol Optileb HY 32 (NSF-H1 approved)**
Glycol type: **Zitrec FC (FDA / NSF approved)**

FPCP-235 Pedal pump-cylinder unit - with pushing cylinder

The FPCP-235 combines a pedal operated pump with a pushing cylinder and an oil reservoir into a single stainless steel unit.

Application

FPCP-235 is designed to be used for height adjustment or tilt jack on containers, trolleys etc. as an all-in-one hydraulic system.

Features

- ☑ Throttled retraction to prevent sudden drop of load
- ☑ Spring centered pedal
- ☑ Cleaning friendly
- ☑ Sealed according to IP68
- ☑ Maintenance free
- ☑ Easy to install
- ☑ Customized pedal designs possible

Specifications

Stroke (standard)	Fluid
235 mm	Synthetic oil/ Water glycol
Pump/piston ratio	Extraction/stroke
1:4	5 mm
Reservoir	Weight
0.8 L	6.5 kg



Installation

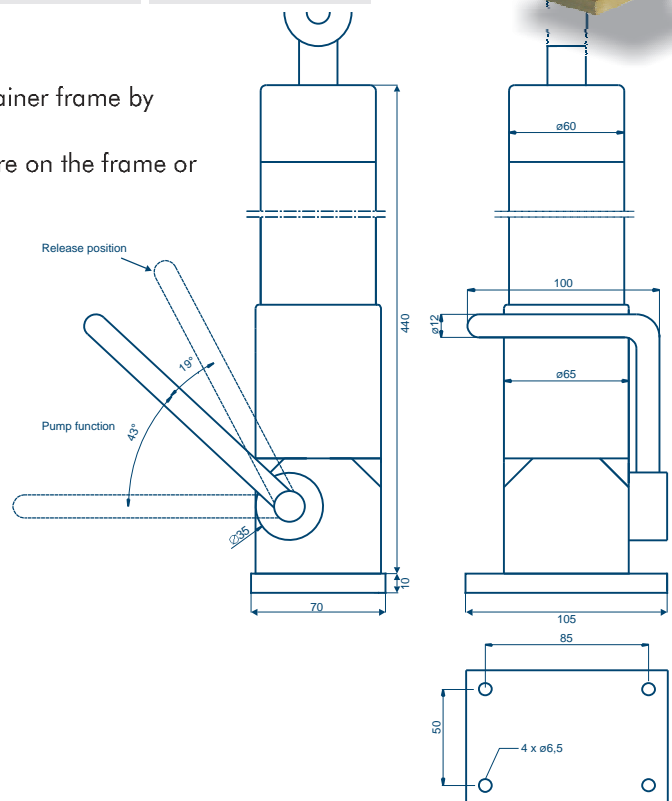
The lower base flange is attached to the container frame by means of four bolts.

The piston rod is either hinged on a fork-fixture on the frame or fitted with a customer designed end bracket.

Hydraulics

The FPCP-235 is factory filled with hydraulic fluid (fulfilling NFS-H1 requirements) and virtually maintenance free.

The pump/cylinder piston area ration is 1:4, so a force of 1 kN applied to the pedal equals a cylinder pushing force of 4 kN.



FP-4.0-T Pedal pump - with fluid reservoir

The FP-4.0-T is a compact, pedal operated hydraulic pump with integrated fluid reservoir.

Application

FP-4.0-T is designed to drive a single hydraulic cylinder, typically for height adjustment of working platforms, tables, beds or stretchers.

Features

- ☑ Pump and release function combined in pedal
- ☑ Throttled release flow to prevent sudden drop of load
- ☑ Spring centered pedal
- ☑ Maintenance free
- ☑ Easy to install
- ☑ Available with pedal fitted on left (V) or right (H) hand side.
- ☑ Customized pedal designs possible
- ☑ Available as FT 3.0-T with 3 cc/stroke displacement

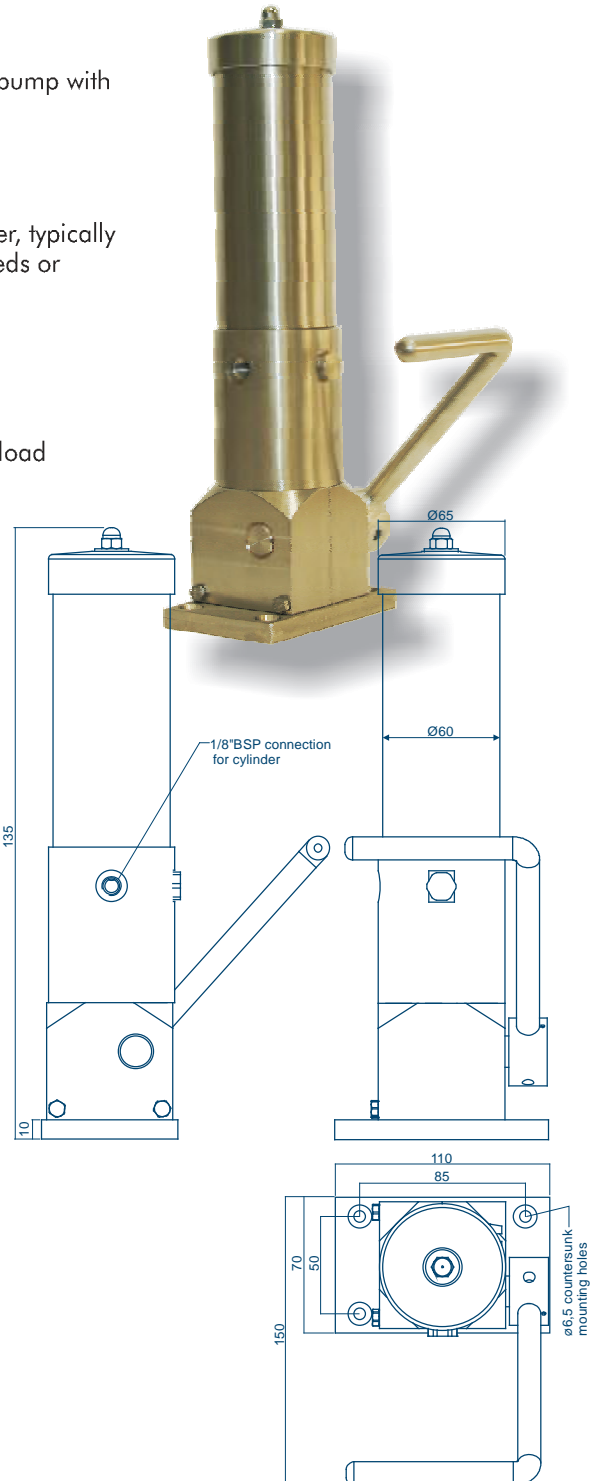
Installation

Installation is very simple: Fix the pump to the platform or the table frame by means of the four bolt holes in the pump base plate.

Connect the cylinder to the fluid outlet/return port of the pump.

Specifications

Displacement	Fluid
3.0 or 4.0 cc / stroke	Mineral oil Water glycol
Pressure	Weight
200 bar	4.2 kg
Reservoir	
0.35 L	



FP-3.5 Pedal pump

Operates two hydraulic cylinders in parallel

The FP-3.5 is a compact, pedal operated hydraulic pump with integrated non-return valves. The valves ensure stability by uneven loads on two-cylinder applications.

Application

FP-3.5 is designed to drive one or two hydraulic cylinders, typically for height adjustment of working platforms or tables.

Features

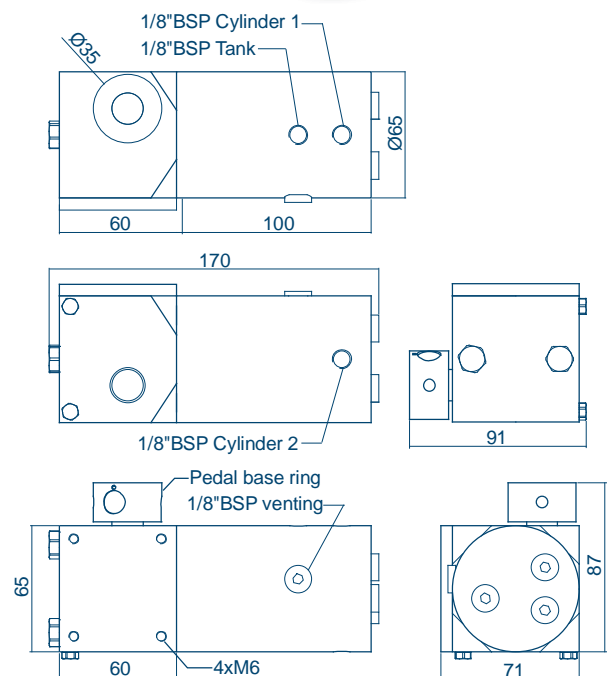
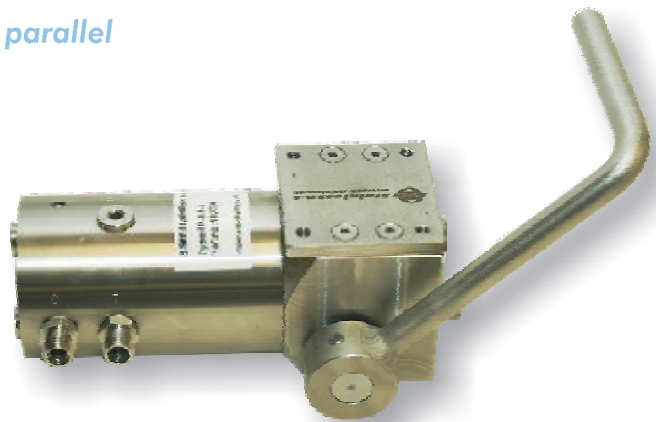
- ☑ Pump and release function combined in pedal
- ☑ Throttled release flow to prevent sudden drop of load
- ☑ Spring centered pedal
- ☑ Non-return valves in outlet ports
- ☑ Maintenance free
- ☑ Easy to install
- ☑ Available with pedal fitted on left (V) or right (H) hand side.
- ☑ Customized pedal designs possible

Installation

On work platforms the pump can be installed under the platform base plate with the pedal protruding the plate.

FP-3.5 requires a separate oil tank to be installed. The tank connects to the "T" port.

The cylinders are connected to the "C1" and "C2" ports on either side of the pump housing.



Specifications

Displacement	Fluid
3.5 cc / stroke	Mineral oil Water glycol
Pressure	Weight
200 bar	2.7 kg



Kuopiovej 18 • 5700 Svendborg • Denmark
Tel: +45 6221 8531 • Fax: +45 6221 7840
Email: ssh@ssh-stainless.dk • www.ssh-stainless.dk

